



"innovation in its most functional form"

PRODUCT DATA SHEET

FC10TE

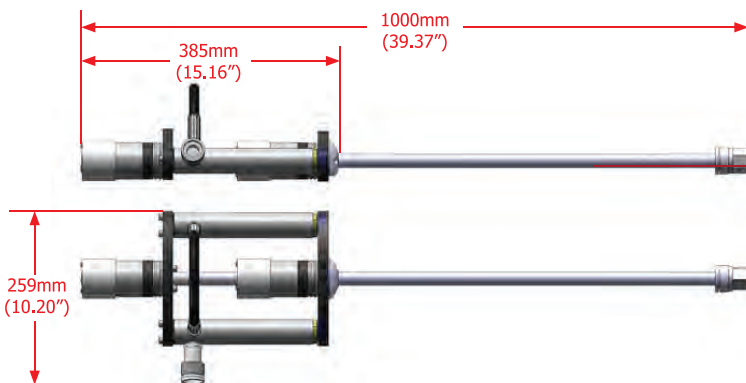
HYDRAULIC FLANGE
CLOSING TOOL
STANDARD KIT

CLOSING FORCE: 10 T (100 kN) per tool
CLOSING DISTANCE: From 600mm
(23.5") to 0

TOOL WEIGHT = 11kg (24.25lbs)

KIT COMPONENTS

- 1 x FC10TE Tool
 - 2 x 10,000 psi (700 bar) 5T Hydraulic Cylinders
 - 1 x 10,000 psi (700 bar) Hydraulic Hose
 - 1 x 10,000 psi (700 bar) Hydraulic Hand Pump
 - 1 x Instruction Manual
 - 1 x Carry-Case with Protective Foam Inserts
- Product Code: FC10TESTD



WEIGHTS AND DIMENSIONS

TOOL WEIGHT = 11Kg (24.25 lbs)
GROSS KIT WEIGHT = 23.5 Kg (51.80 lbs)

Carry-Case Dimensions:

890 x 570 x 165mm (35.04" x 22.44" x 6.50")

FC10TE

HYDRAULIC FLANGE CLOSING TOOL

STANDARD KIT



"innovation in its most functional form"

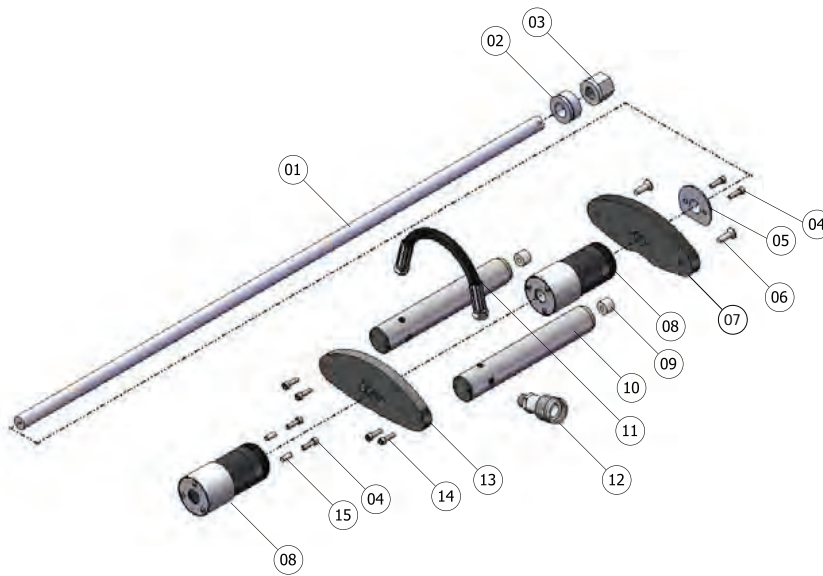
RANGE OF APPLICATION

The FC10TE is applicable to all flanges with a bolt hole diameter of 25.4mm (1") or greater.

This includes ANSI, DIN, SPO, ASME, API and BS flanges.

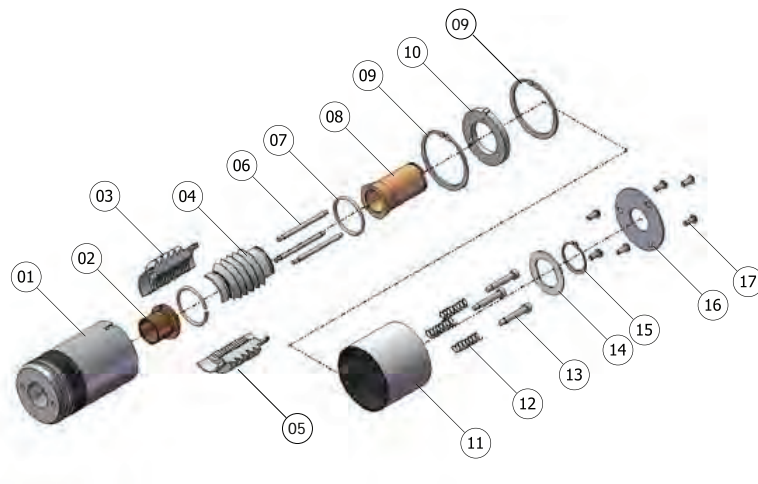
For a detailed range of application please refer to the FC10TE instruction manual.

PARTS LIST AND EXPLODED DRAWING



ITEM	PART NO.	DESCRIPTION	QUANTITY
01	752801	PULL ROD	1
02	752901	ROD WASHER	1
03	640901	COLLET NUT	1
04	752101	NUT RETAINING SCREW	4
05	752701	BALL WASHER	1
06	752301	CYLINDER NOSE SCREW	2
07	750101	FRONT PLATE	1
08	753501	RATCHET NUT (SEE BELOW)	2
09	752401	CYLINDER NOSE ADAPTOR	2
10	752501	HYDRAULIC CYLINDER	2
11	752601	COUPLING HOSE	1
12	300901	FEMALE HALF COUPLER	1
13	750201	REAR PLATE	1
14	752201	CYLINDER RETAINING SCREW	4
15	753001	NUT RETAINING SLEEVE	2

RATCHET NUT PARTS LIST AND EXPLODED DRAWING



ITEM	PART NO.	DESCRIPTION	QUANTITY
01	751001	NUT BODY	1
02	750401	CAGE FRONT RING	1
03	750601	COLLET SEGMENT 1	1
04	750701	COLLET SEGMENT 2	1
05	750801	COLLET SEGMENT 3	1
06	750501	CAGE SIDE BAR	3
07	751501	COLLET RETAINING SPRING	2
08	750301	CAGE REAR RING	1
09	751901	REACTION CIRCLIP	2
10	751301	REACTION PLATE	1
11	751101	NUT CAP	1
12	751601	NUT CAP RETURN SPRING	3
13	751701	NUT CAP RETURN SCREW	3
14	751201	LOCK WASHER	1
15	752001	CAGE CIRCLIP	1
16	751401	END CAP	1
17	751801	LOCK SCREW	6