



"innovation in its most functional form"

## PRODUCT DATA SHEET

# SWi12/14TM

## MECHANICAL FLANGE SPREADER

### SPREADING FORCE:

12T (120kN) 1st step

14T (140kN) 4th step

### SPREADING DISTANCE:

6.0 - 103.5mm (0.24 - 4.0")

WEIGHT: 6.2kg (13.7lb)

### CAPABILITIES

With 175Nm (130ft.lb) torque applied:

12T spread force (1st step)

14T spread force (4th step)

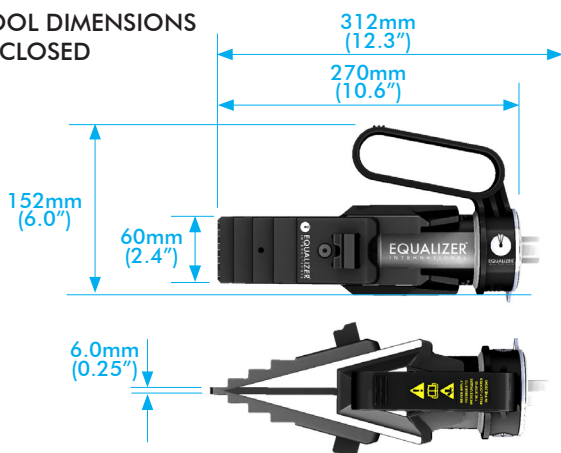
6.0mm – 87.5mm  
(0.24" - 3.4") spread over 4 steps  
(without stepped blocks)

48.5mm – 103.5mm  
(1.9" - 4.1") spread over 2 steps  
(with stepped blocks)

6.0mm – 40.0mm  
(0.24" - 1.6") spread  
using only 1st step



### TOOL DIMENSIONS - CLOSED



### USER FEATURES

- Practical, portable and lightweight
- Moulded plastic handle for comfort
- Revolving handle to aid horizontal or vertical spreading
- Offset handle is directly over the centre of mass
- Removable handle for improved access
- Revolving lanyard connection point
- Spread indicator markings for clear precise visual progress feedback

### SAFETY FEATURES

- No finger pinch-points
- Increased step depth on upper steps
- Safety lanyard – 1.0m (39") length
- Forged key components for strength and reliability
- Fail-safe design – designated cylinder nose seal failure

### MAINTENANCE FEATURES

- Rapid disassembly and assembly
- Quick jaw replacement – remove 1 fastener
- Quick tip replacement – remove 2 fasteners
- Narrow jaw teeth – improved tool wear

info@equalizerinternational.com  
www.equalizerinternational.com

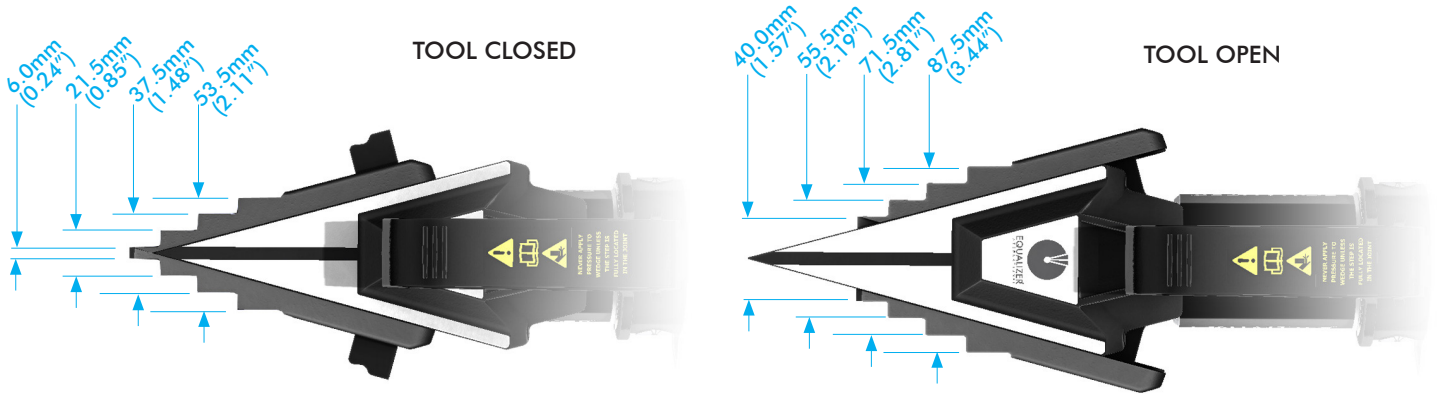
# SWi12/14TM

MECHANICAL FLANGE SPREADER

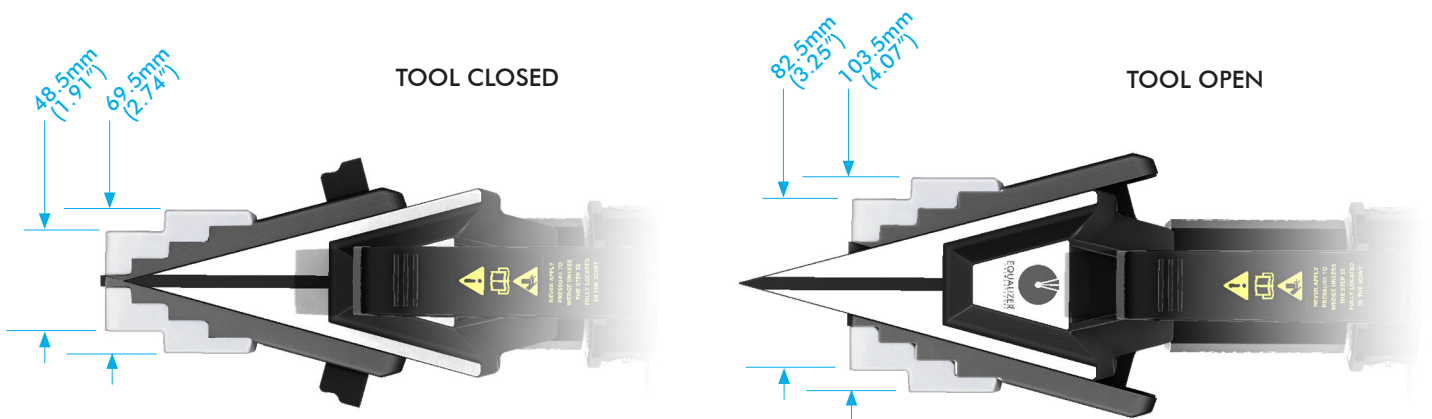


"innovation in its most functional form"

## JAW DIMENSIONS (WITHOUT STEPPED BLOCKS ATTACHED)



## JAW DIMENSIONS (WITH STEPPED BLOCKS ATTACHED)



## STANDARD KIT

- 1 x SWi12/14TM Mechanical Flange Spreader Wedgehead
- 1 x 12/14TM Mechanical Cylinder
- 1 x 150ft.lb (230N.m) Torque Wrench with 22mm Socket
- 1 x Set of Safety Blocks
- 1 x Pair of Stepped Blocks
- 1 x Lanyard
- 1 x Hex Key
- 1 x Instruction Manual
- 1 x Plastic Carry Case

580mm x 330mm x 165mm (22.8" x 13.0" x 6.5")  
Gross Kit Weight 13.0kg (28.6lb)  
Product Code: SWi1214TMSTDSPB

