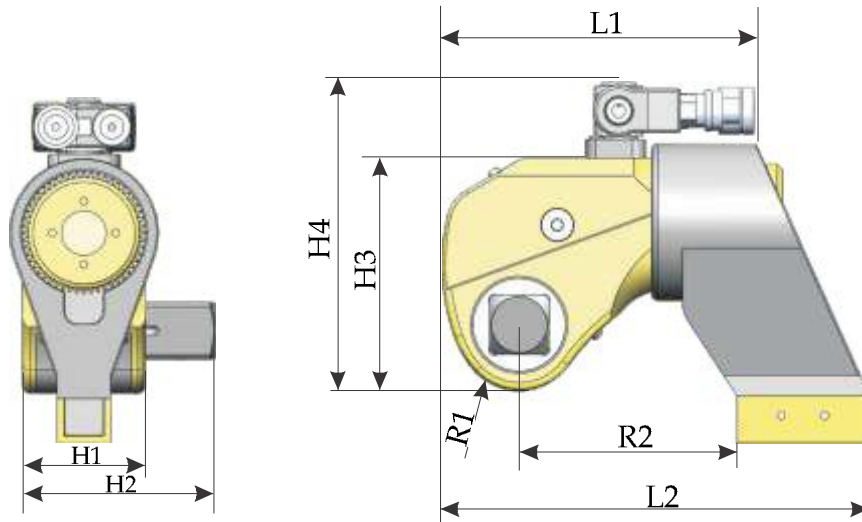


TSL SERIES SQUARE DRIVE TORQUE WRENCHES

TECHNICAL DATA

TECHNICAL DATA	Units	TSL-07	TSL-1	TSL-3	TSL-5	TSL-8	TSL-10	TSL-20	TSL-25	TSL-35	TSL-50
Square Drive	Inch	3/4	3/4	1	1.1/2	1.1/2	1.1/2	2.1/2	2.1/2	2.1/2	2.1/2
Min. Torque	Nm	108	180	450	750	1050	1533	2600	3460	4860	6925
Max. Torque	Nm	1130	1840	4520	7530	10800	15330	26675	34750	48675	69247
Min. Torque	Ft. Lbs.	80	135	331	553	775	1131	1917	2551	3611	5107
Max. Torque	Ft. Lbs.	830	1357	3333	5553	7965	11307	19675	25630	36113	51073
Tool Weight	Kg.	1.8	2.5	4.9	9.5	10.8	14.7	26	34.8	50	65
Tool Weight	Lbs.	3.9	5.5	10.8	20.9	23.7	32.4	57.2	74.8	110	143



DIMENSIONAL DATA

DIMENSIONAL DATA	Units	TSL-07	TSL-1	TSL-3	TSL-5	TSL-8	TSL-10	TSL-20	TSL-25	TSL-35	TSL-50
Body Length (L1)	(mm)	110	144.5	178	213	222	246	305	321	371	376
	(Inch)	4.33	5.69	7.0	8.38	8.74	9.69	12	25.68	14.6	14.8
Overall Length (L2)	(mm)	139	173	228	274.5	292	317	383	401	465	528
	(Inch)	5.47	6.81	8.98	10.80	11.49	12.48	30.64	15.78	18.3	30
Tool Width (H1)	(mm)	42	52	69.5	82.5	92	102	121.5	120	137	162
	(Inch)	1.65	2.04	2.74	3.24	3.14	4.01	3.93	4.72	5.39	6.14
Overall Width (H2)	(mm)	65	70	94	128.5	134	142	183	200	216	226
	(Inch)	2.55	2.76	3.7	5.06	5.2	5.59	7.2	7.87	8.5	8.9
Tool Height (H3)	(mm)	77	95.5	115	149	167	182	220	246	282	291
	(Inch)	3.03	3.76	4.53	5.87	6.57	7.16	8.33	9.68	11.1	11.5
Overall Height (H4)	(mm)	108	136	176	199	217	232	270	297	332	326
	(Inch)	4.25	5.35	6.93	7.83	8.54	9.13	10.62	11.69	13.07	12.83
Tool Radius Around Bolt (R1)	(mm)	21	26.3	34.5	39	47	51	59	66	77	78.8
	(Inch)	0.82	1.03	1.36	1.53	1.85	2	2.32	2.59	3.03	3.1
Reaction Reach (R2)	(mm)	68	85	111.5	140	153	154	186	199	241	295
	(Inch)	2.67	3.35	4.39	5.51	6.02	6.06	7.32	7.83	9.48	11.6